



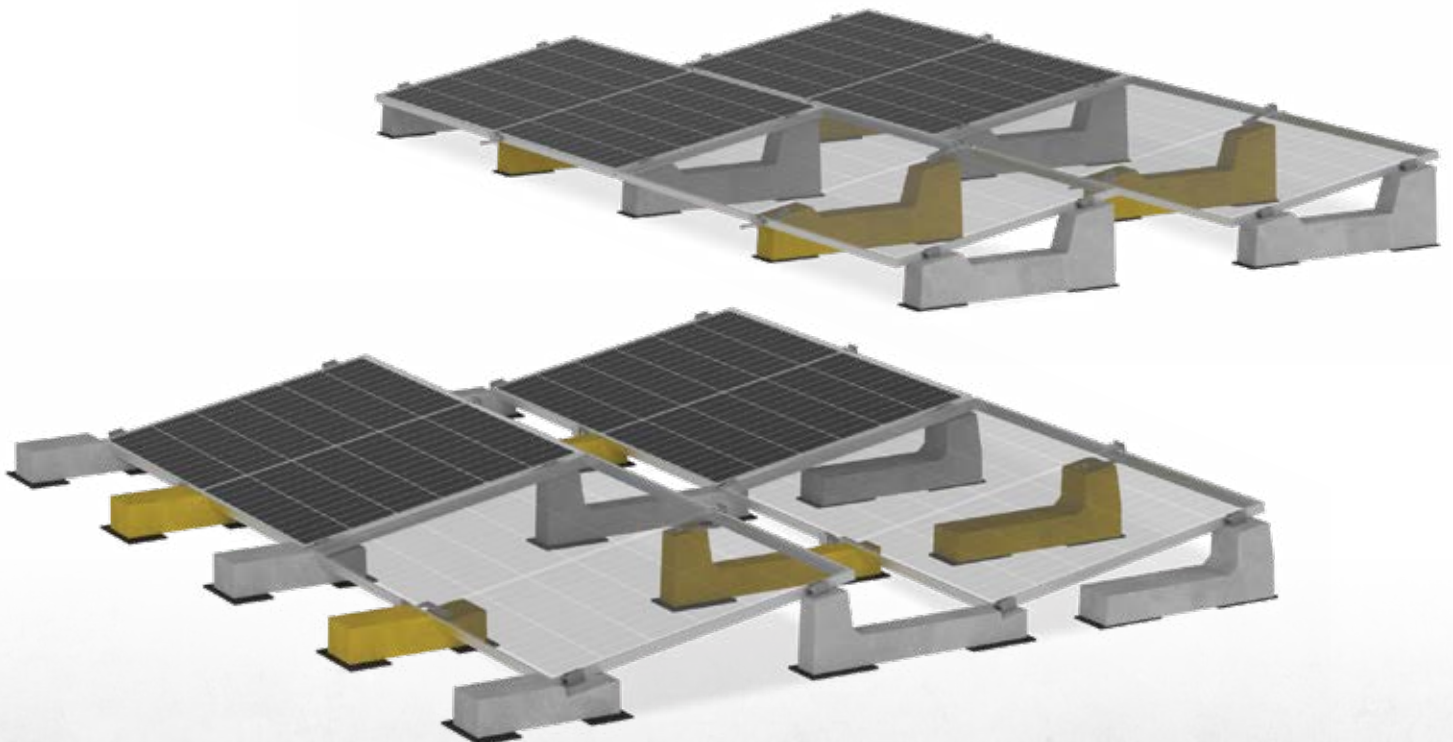
Made to last  
Patented systems

SINCE 2012  
IDEAL SOLAR  
MOUNTING SYSTEM  
FOR FLAT ROOFS

# Technical Sheet NO-FLEX®

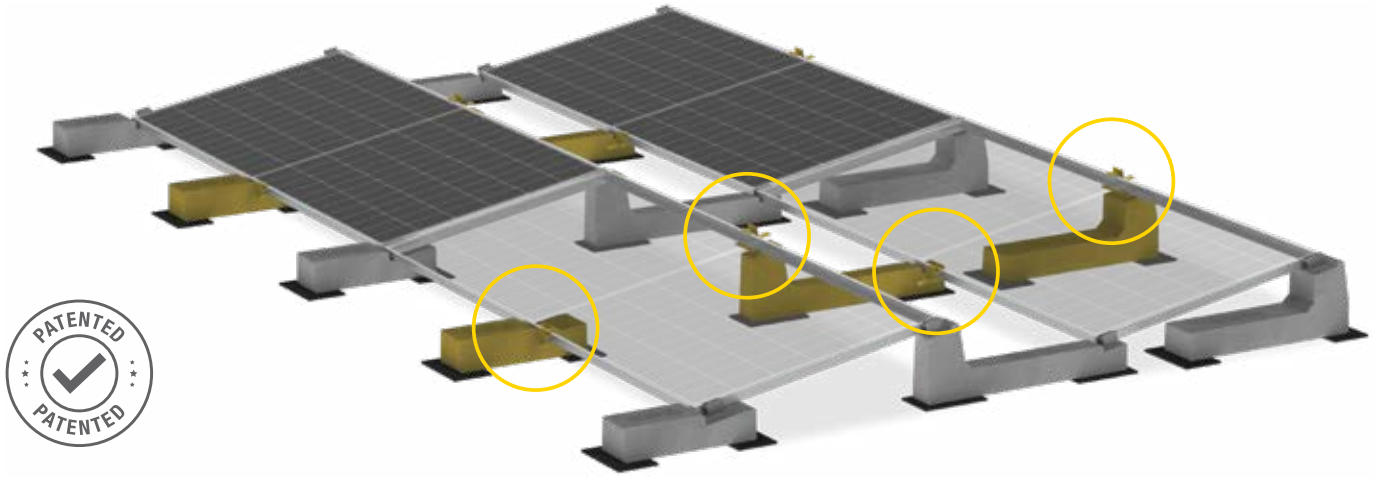


K23711.U



# KIT NO-FLEX CONNECT

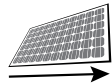
THE NEW SOLUTION FOR LARGE PANELS



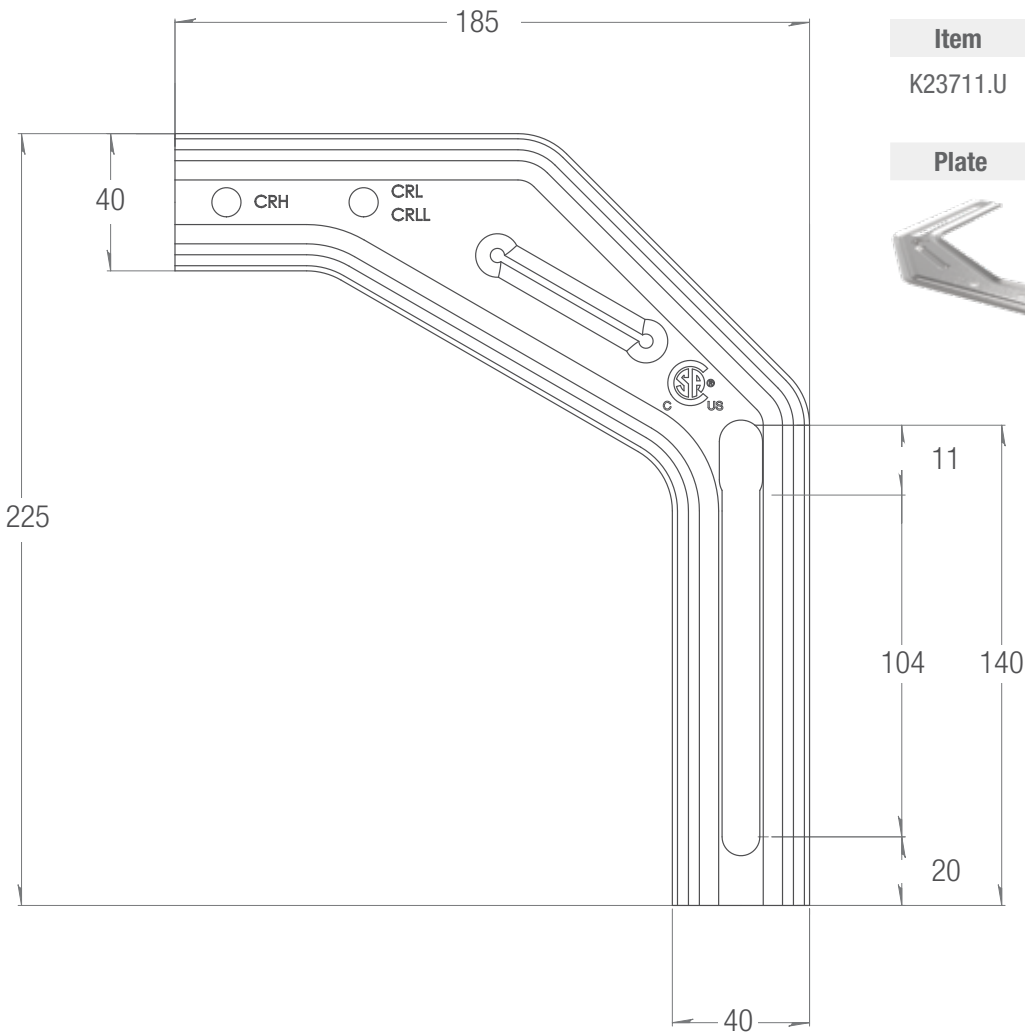
TILT OPTIONS

**3° 5° 10° 15° 20° 30°**

HORIZONTAL



NO-FLEX® CONNECT is a Sun Ballast accessory designed to be installed on the central support ballast in order to support large format modules and prevent central deflection. Its shape is engineered to be compatible with all tilt angles of Sun Ballast systems with modules installed in landscape orientation.



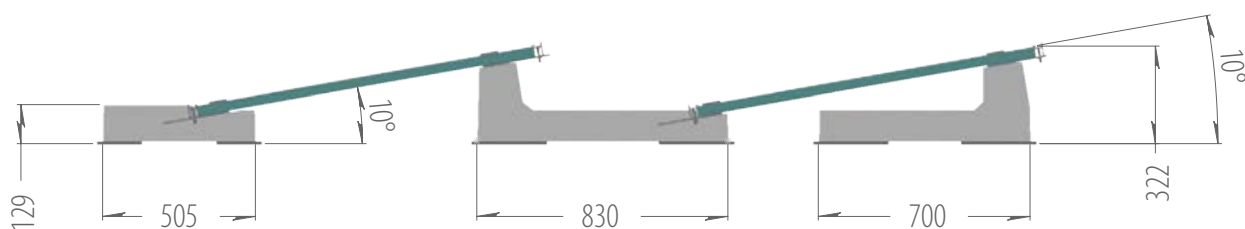
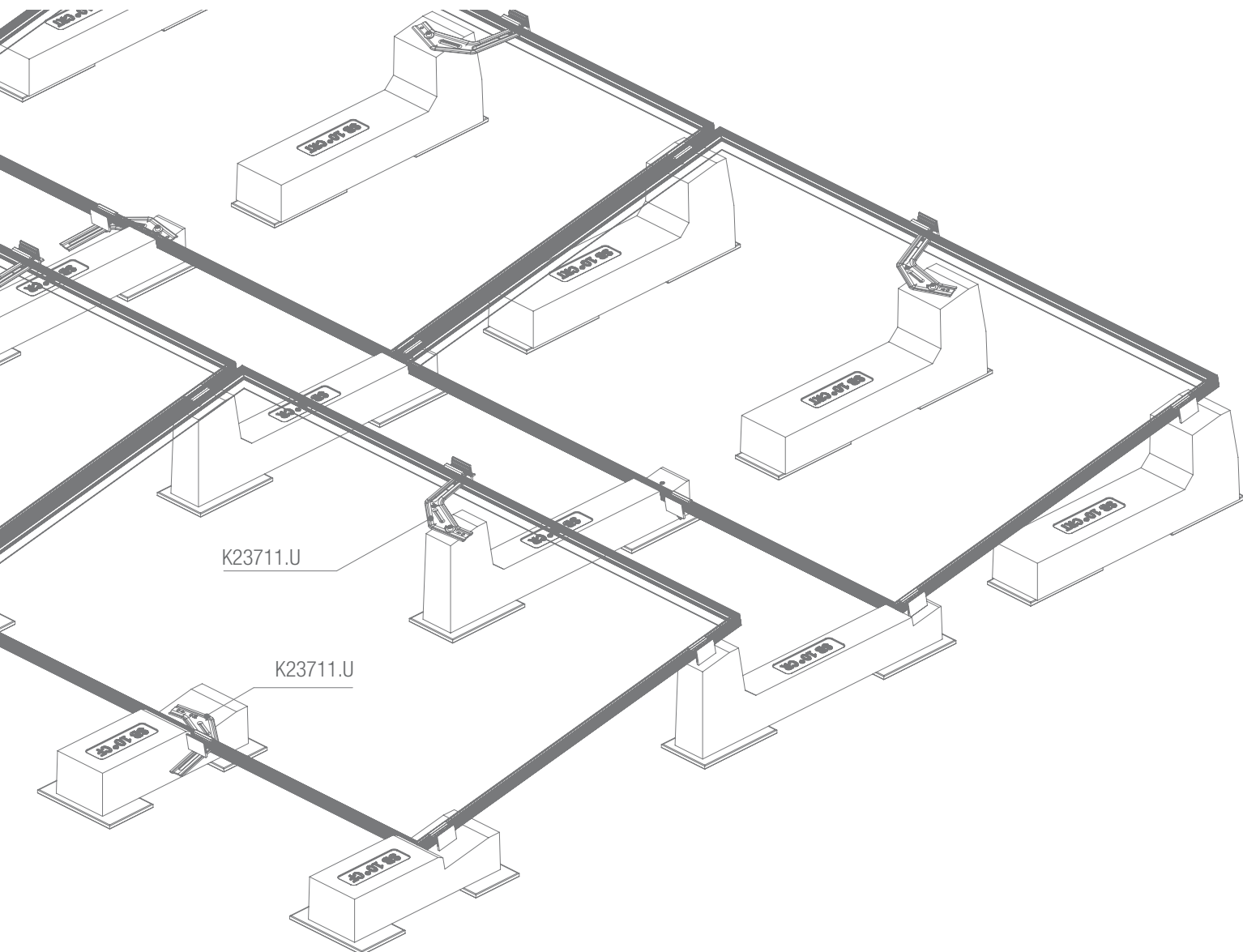
Item	Material	Thickness	Weight
K23711.U	Stainless steel	30/10	0.32 kg

Plate	Bolt	Washer	Cage
-------	------	--------	------



# KIT NO-FLEX CONNECT

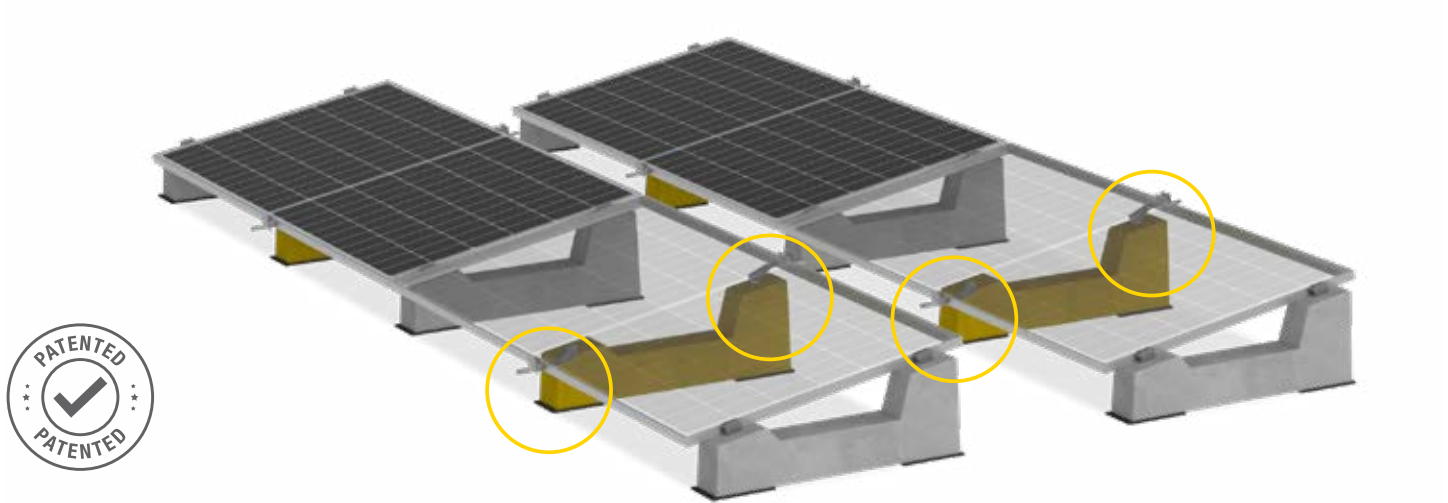
THE NEW SOLUTION FOR LARGE PANELS



SB\_26\_R01\_EN\_18FEB

# KIT NO-FLEX SINGLE-ROW

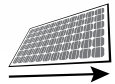
THE NEW SOLUTION FOR LARGE PANELS



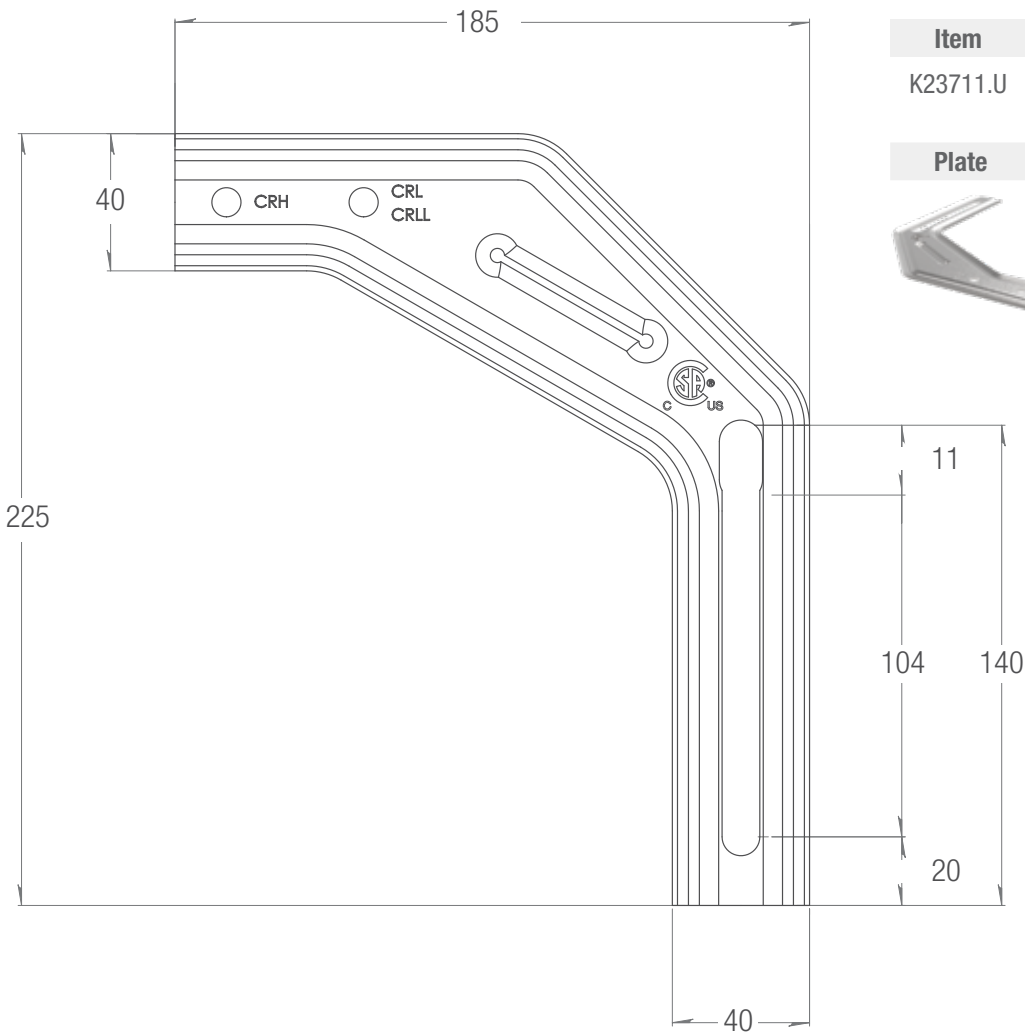
TILT OPTIONS

**3° 5° 10° 15° 20° 30°**

HORIZONTAL



NO-FLEX® SINGLE ROW is a Sun Ballast accessory designed to be installed on the central support ballast in order to support large format modules and prevent central deflection. Its shape is engineered to be compatible with all tilt angles of Sun Ballast systems with modules installed in landscape orientation.



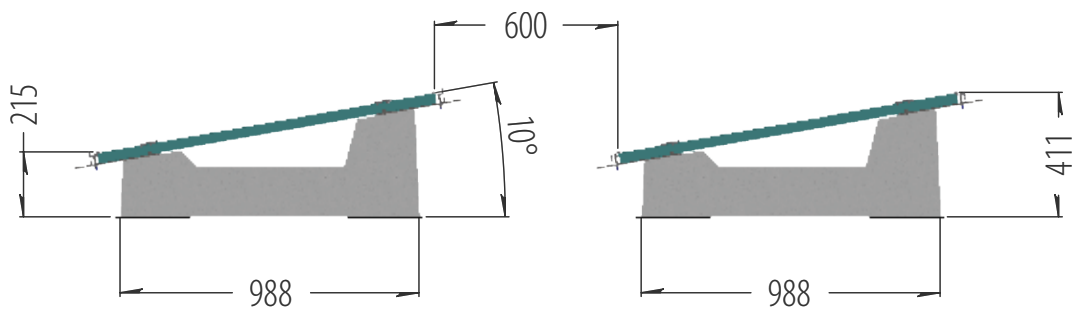
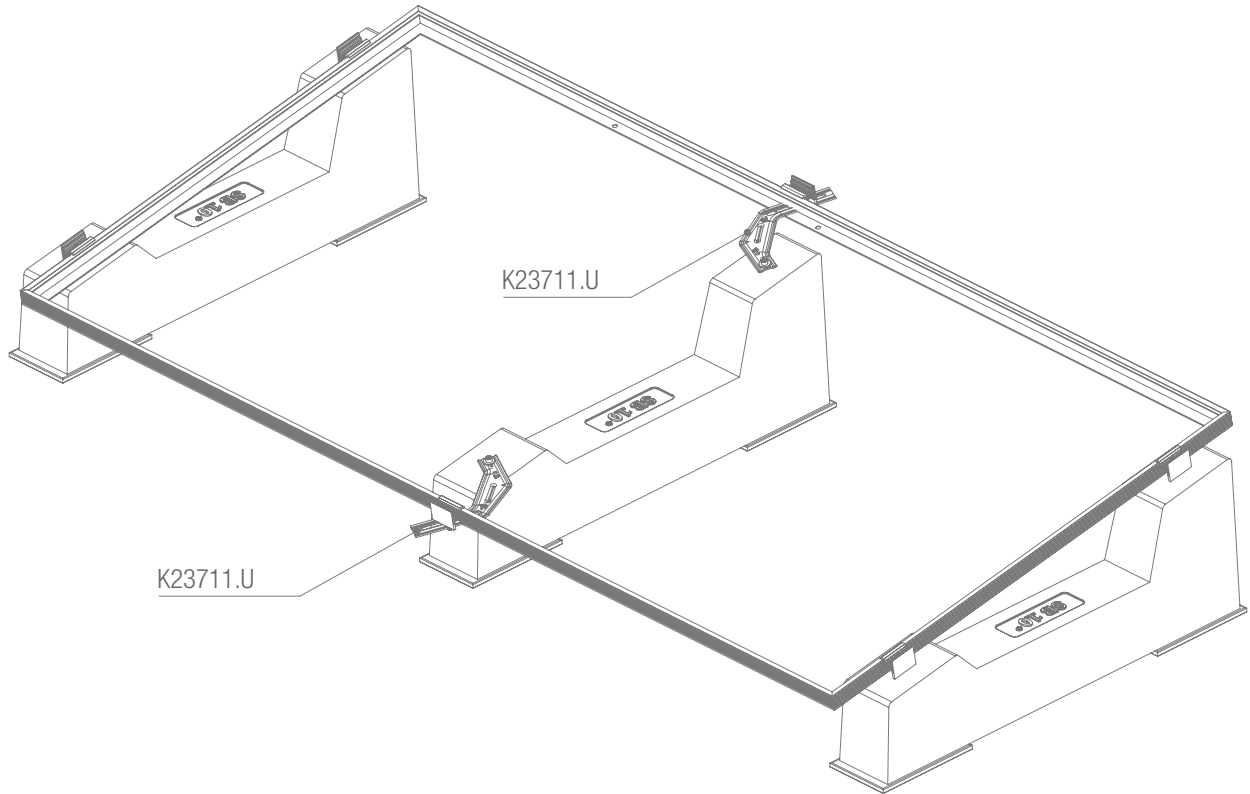
Item	Material	Thickness	Weight
K23711.U	Stainless steel	30/10	0.32 kg

Plate	Bolt	Washer	Cage
-------	------	--------	------



# KIT NO-FLEX SINGLE-ROW

THE NEW SOLUTION FOR LARGE PANELS



SB\_26\_R01\_EN\_18FEB



**Made to last**  
Patented systems

## CONTACTS

---

### INFORMATION AND FIRST CONTACT

[info@sunballast.com](mailto:info@sunballast.com)

---

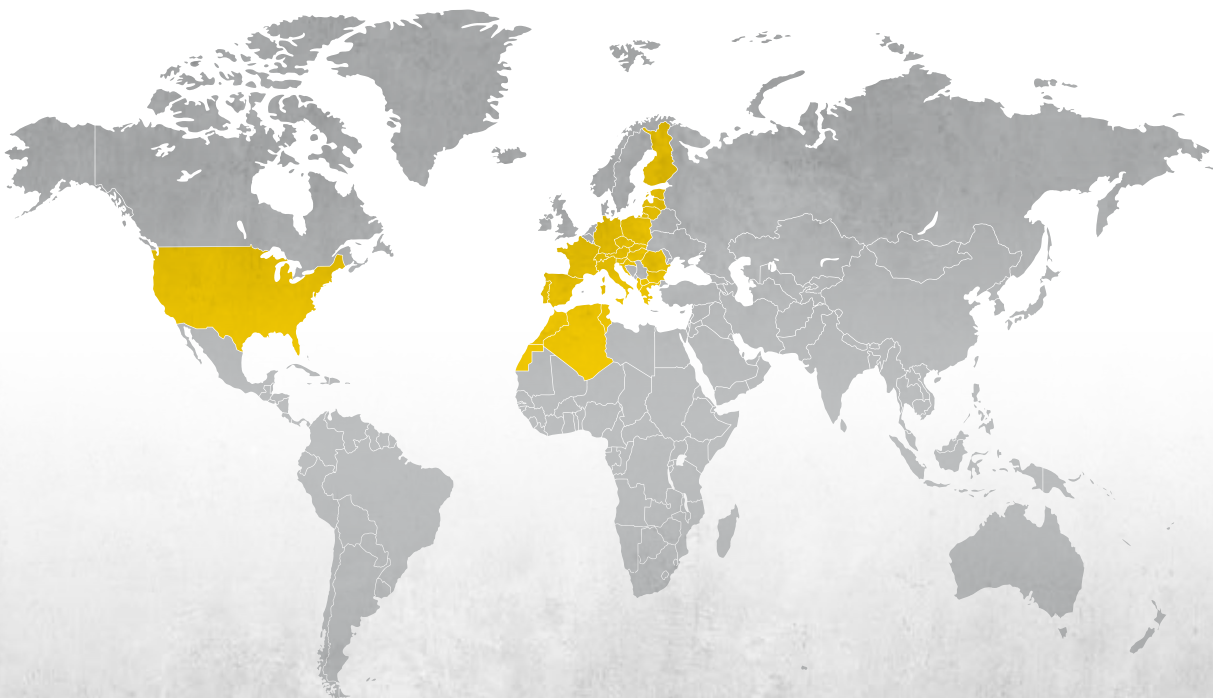
### COMMERCIAL CONSULTING

[commerciale@sunballast.com](mailto:commerciale@sunballast.com)

---

### TECHNICAL SUPPORT

[tecnico@sunballast.com](mailto:tecnico@sunballast.com)



**MADE TO LAST.**

[www.sunballast.de](http://www.sunballast.de)