



Supporting solar innovation

Patented systems - Made in USA

## **NO-FLEX**

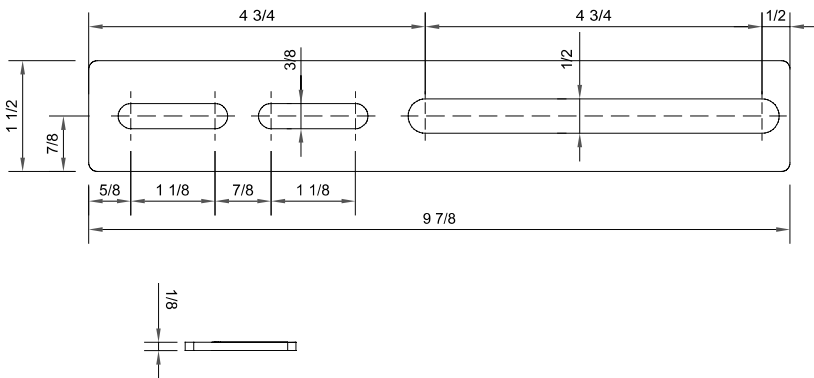
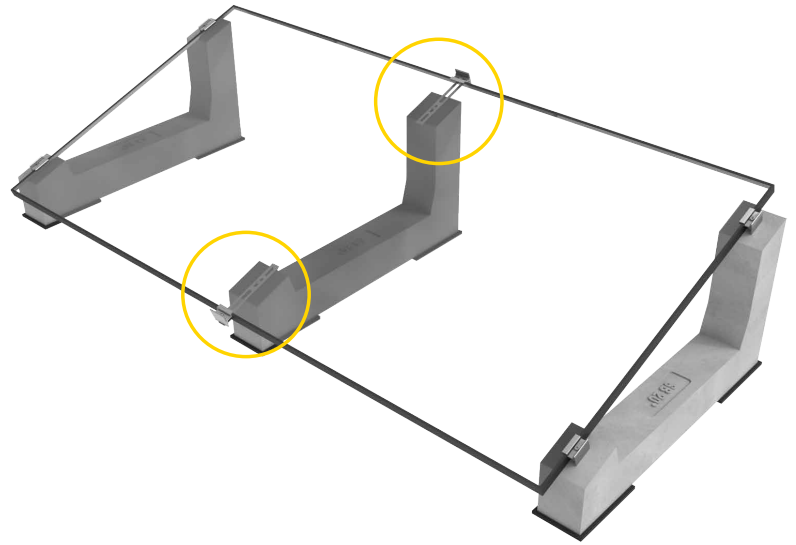
The ideal solution for the  
**panels of large dimensions**

## KIT NO-FLEX STANDARD

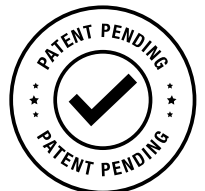
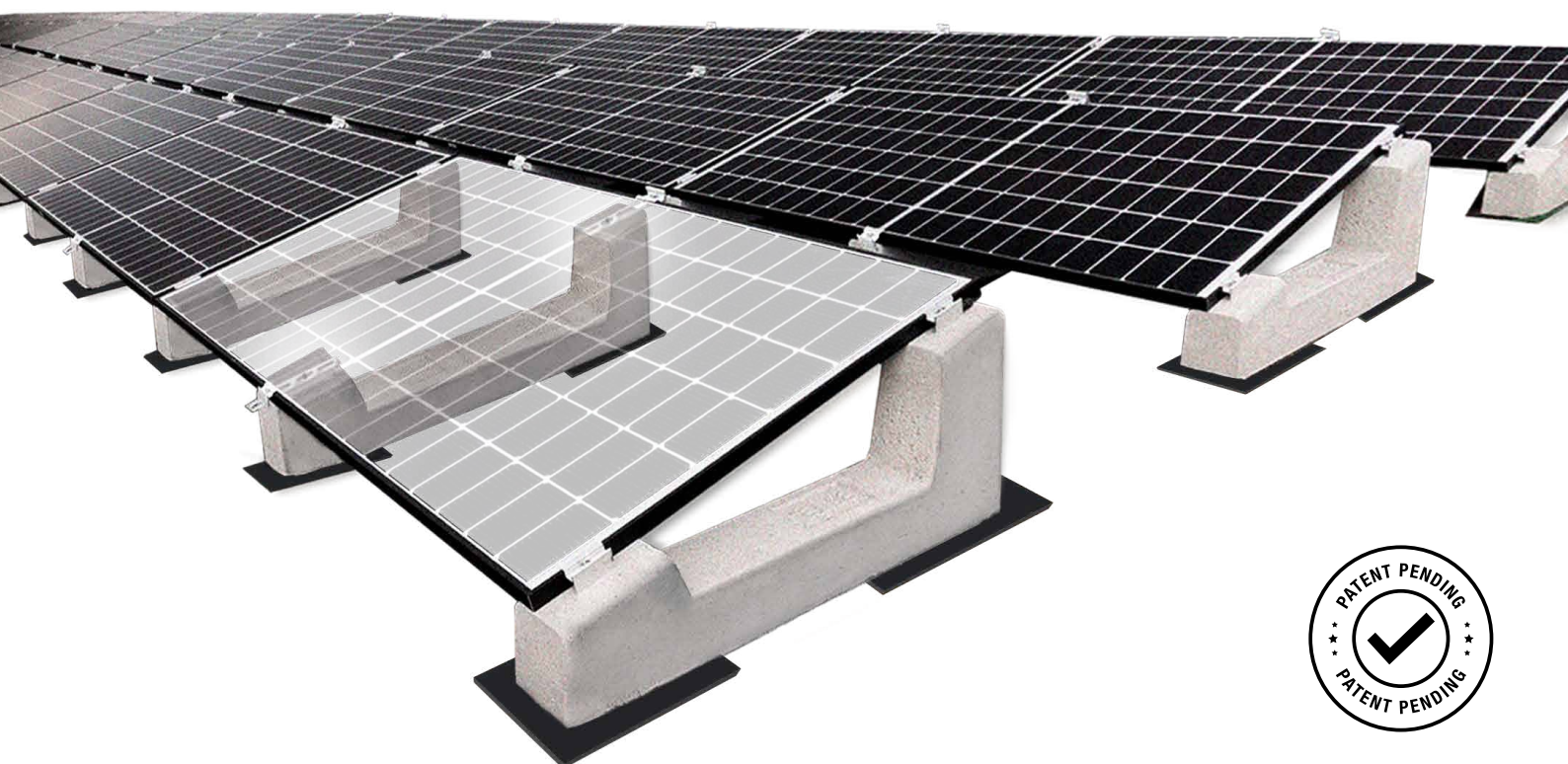
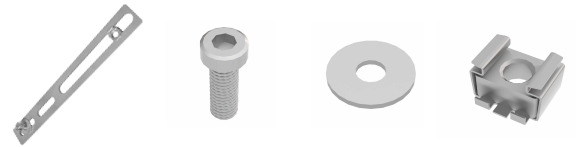
### THE NEW SOLUTION FOR LARGE PANELS

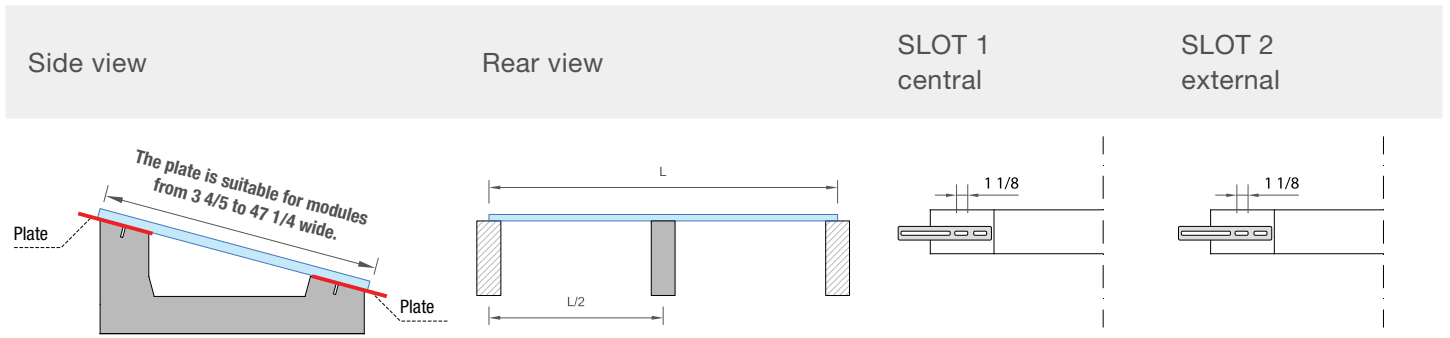
**NO-FLEX Standard** is a Sun Ballast accessory designed to be inserted on central reinforcement ballasts in order to support large panels and prevent them from bending in the middle.

Its "I" shape is designed to be compatible with all inclinations of Standard Sun Ballast systems, from 3° to 30°, with panels laid horizontally.



Item	Material	Thickness	Weight
K23712	Steel	1/8	0.3 lb
Plate	Bolt	Washer	Cage nut

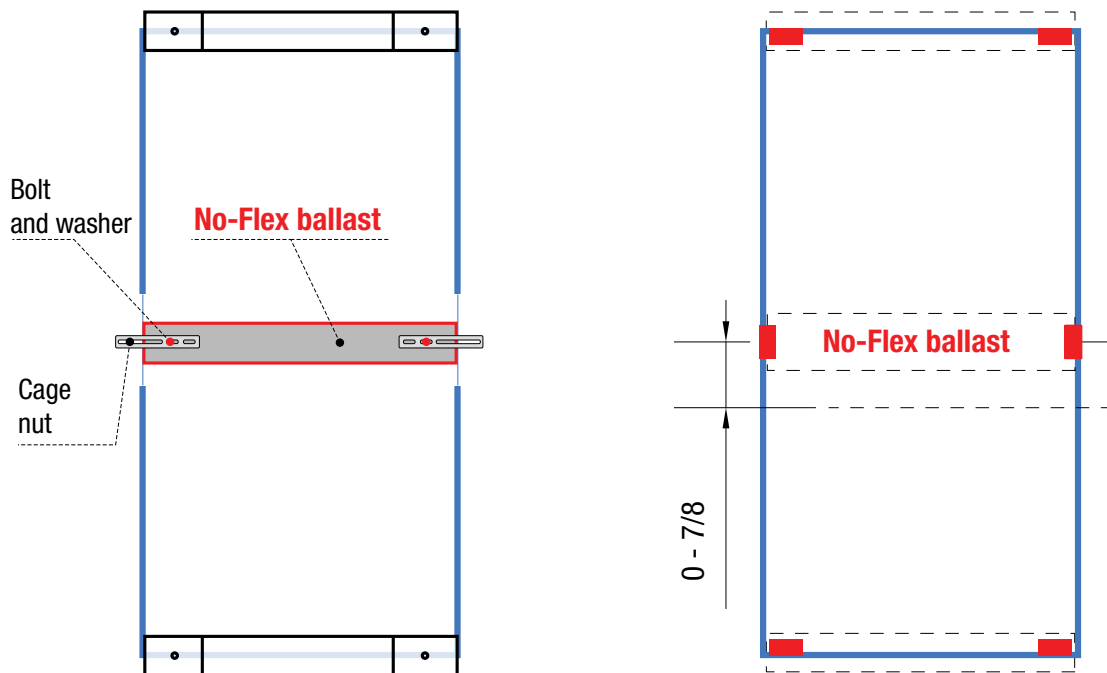




USE ONE OF THE TWO 1 3/16 SLOTS TO FIX THE PLATE ON THE CENTRAL REINFORCEMENT BALLASTS, DEPENDING ON THE PANEL WIDTH

### View of the Standard and No-Flex system from above

The 6 support points to which the panel is attached are indicated in red

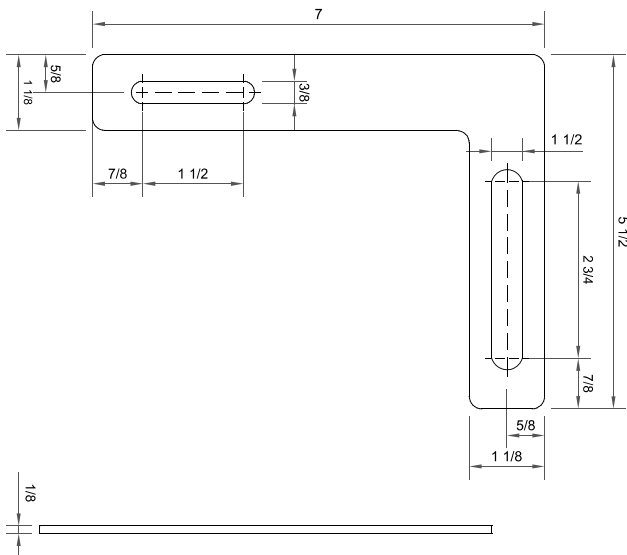
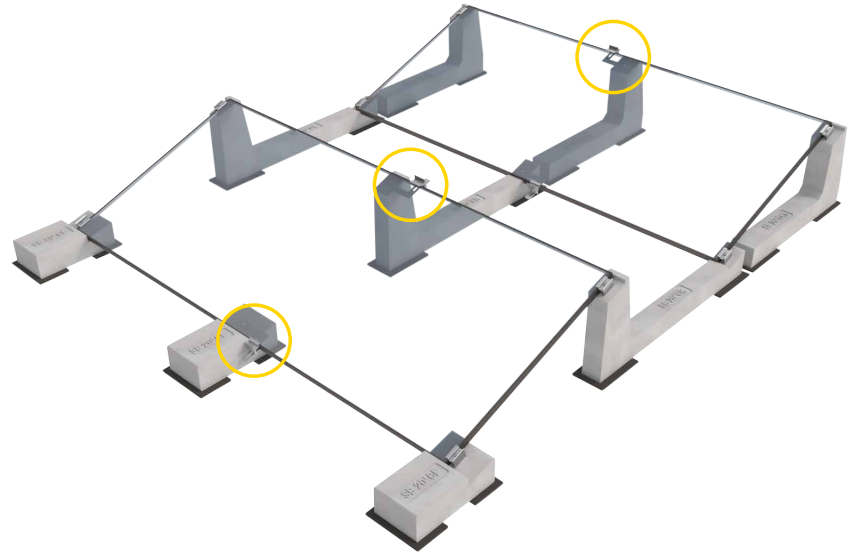


## KIT NO-FLEX CONNECT

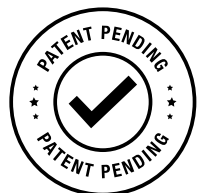
### THE NEW SOLUTION FOR LARGE PANELS

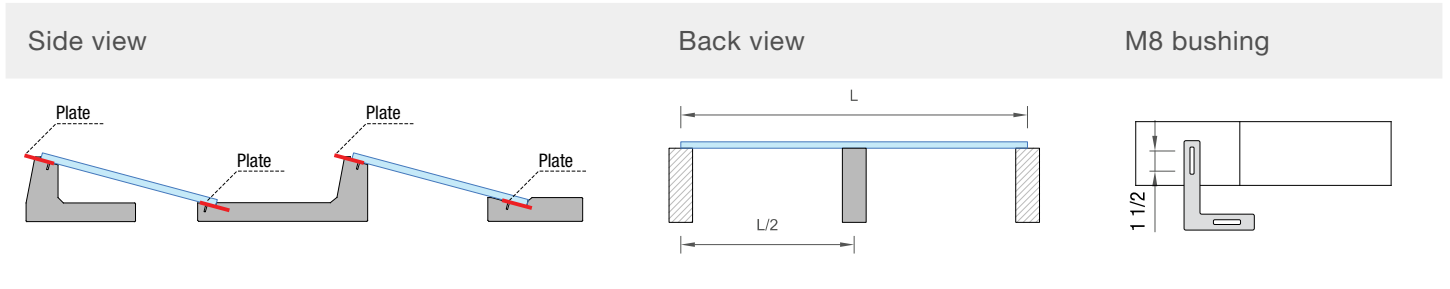
**NO-FLEX Connect** is a Sun Ballast accessory designed to be inserted on central reinforcement ballasts in order to support large panels and prevent them from bending in the middle.

Its “L” shape is designed to be compatible with all inclinations of Connect Sun Ballast systems, from 5° to 30°, with panels laid horizontally.



Item	Material	Thickness	Weight
K23711	Steel	1/8	0.4 lb
Plate	Bolt	Washer	Cage nut

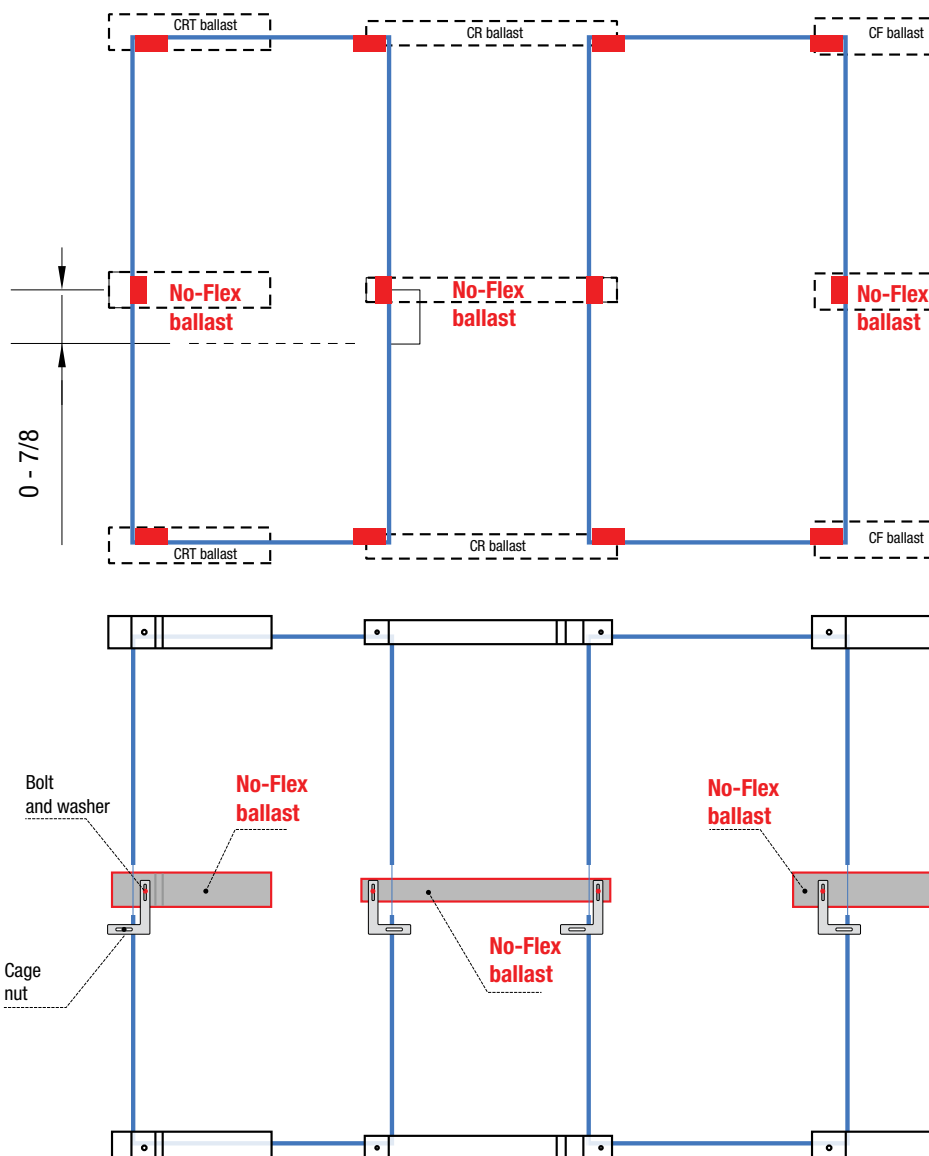




**USE THE 1 37/64 SLOT TO FIX THE PLATE ON THE CENTRAL REINFORCEMENT BALLASTS**

### View of the **Connect and No-Flex** system from above

The 6 support points to which the panel is attached are indicated in red





**Supporting solar innovation**

**Patented systems - Made in USA**